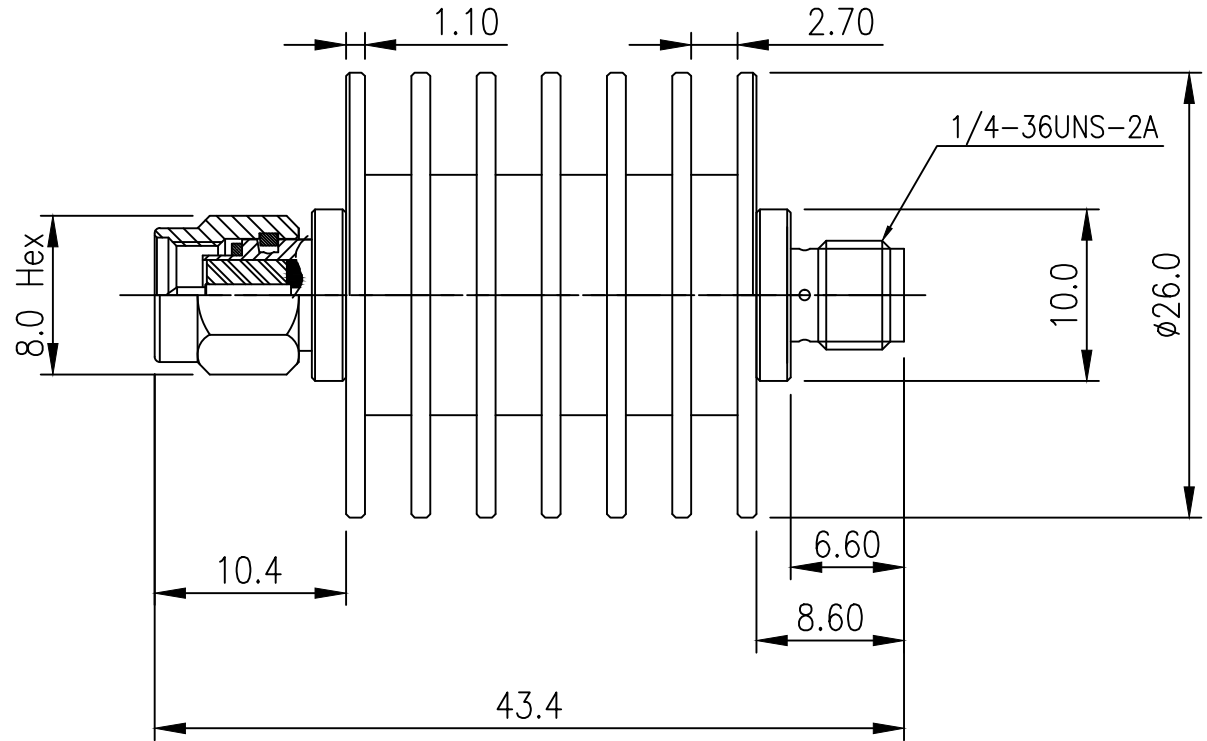


REV	DESCRIPTION	DSG	APR	DATE



### 1. Electrical Spec.

- 1.1 Impedance : 50 ohm
- 1.2 Frequency range : DC ~ 12.4GHz
- 1.3 Nominal Attenuation : 10 dB
- 1.4 Attenuation Accuracy :  $\pm 0.6$  dB
- 1.5 VSWR : 1.25:1
- 1.6 Input Power, CW : 10 Watts
- 1.7 Peak Power: 1KW

### 2. Mechanical

- 2.1 Center contact retention force : 6 lb Min.
- 2.2 Center contact proof torque : 4 in.oz. Min.
- 2.3 Coupling nut torque of 12in-lb(min)

### 3. Environmental Spec.

- 3.1 Temperature range :  $-55^{\circ}\text{C}$  to  $125^{\circ}\text{C}$
- 3.2 2011/65/EU (RoHS) : Compliant

UNLESS OTHERWISE SPECIFIED : ALL DIMS IN MILLIMETERS TOLERANCES ON DECIMALS 1 PLACE $\pm 0.20$ ANGLE $\pm 1.0^{\circ}$ 1.6g 2 PLACE $\pm 0.10$ REMOVE BURRS. BREAK SHARP EDGES		THIRD ANGLE	RFCM	
DRAW	DESIGN	CHECK		
<i>MX HONG</i>		<i>X</i>		12.4GHz SMA(M-F) 10dB 10W Fixed Attenuator
2019.10.04				
Material	-			SIZE A4
Finish	SEE NOTE 1.			DWG NO. A1
				REV A
				Scale : NS    Do Not Scale Drawing    1 of 1