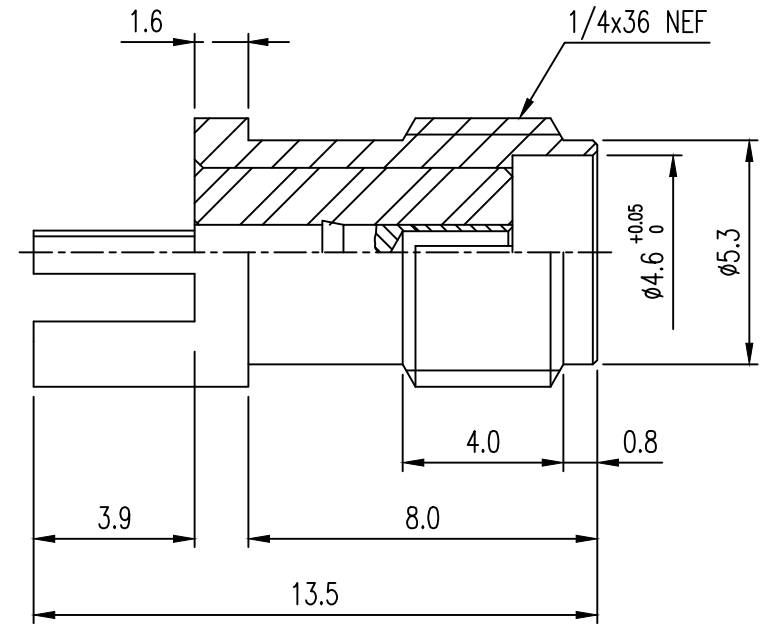
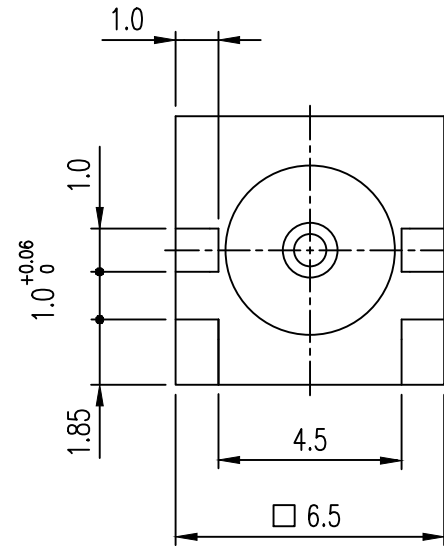


This document contains proprietary information and may not be reproduced or copied without the express written permission of a duly authorised representative of RFCM

REV	DESCRIPTION	DSG	APR	DATE



#### ELECTRICAL SPECIFICATIONS

- 1 IMPEDANCE : 50 Ohms
- 2 FREQUENCY RANGE : DC~18GHz
- 3 V.S.W.R : 1.35 max @ 18GHz
- 4 Operating Voltage (AC) : 500 Vrms
- 5 Dielectric Withstanding Voltage (AC) : 1000 Vrms
- 6 Insulation resistance : 5000MΩ min

#### MECHANICAL SPECIFICATIONS

- 1 Connector Life : 500 matings.
- 2 Connector Body : Brass or stainless steel & Gold plating
- 3 Female Center Pin : Beryllium copper & Gold plating
- 4 Insulators : PTFE Teflon

#### ENVIRONMENTAL SPECIFICATIONS

- 1 Operating Temperature : -65°C to +140°C
- 2 Corrosion resistance : MIL-STD-202,Method 101,Condition B,5% Salt Solution
- 3 Moisture resistance : MIL-STD-202,Method 106
- 4 Thermal shock : MIL-STD-202,Method 107,Condition B,+145°C High Temp
- 5 Random Vibration : MIL-STD-202,Method 204,Condition D
- 6 Mechanical shock : MIL-STD-202,Method 213,Condition I
- 7 RoHS :Compliant

UNLESS OTHERWISE SPECIFIED : ALL DIMS IN MILLIMETERS TOLERANCES ON DECIMALS 1 PLACE ±0.20    ANGLE ±1.0°    1.60√ 2 PLACE ±0.10 REMOVE BURRS, BREAK SHARP EDGES		THIRD ANGLE	RFCM	
DRAW	DESIGN	CHECK		
<i>mk hong</i>		✗		SMAJ-4R PCB 1.0T SMA Female End Launch 1.0T
2019.8.25				
Material	C3604BD			SIZE A4
Finish	0.3 Min			DWG NO. A
				REV A
Scale : NS				Do Not Scale Drawing
				1 of 1