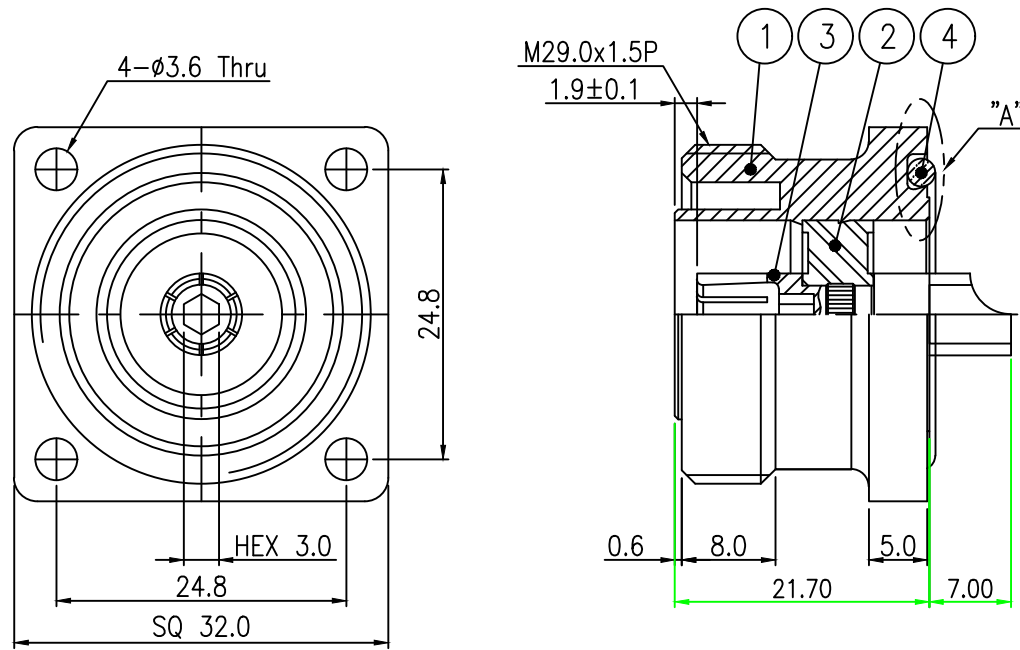


This document contains proprietary information and may not be reproduced or copied without the express written permission of RFCM.

REV	DESCRIPTION	DSG	APR	DATE



NOTE

- 공정간 이동시 찍힘이나 변색이 발생되지 않도록 주의할 것.
- CD 는 중요한 치수와 관리를 요하는 부분을 나타낸다.

UNLESS OTHERWISE SPECIFIED : ALL DIMS IN MILLIMETERS TOLERANCES ON DECIMALS 1 PLACE ±0.20 ANGLE ±1.0° 1.6a 2 PLACE ±0.10 REMOVE BURRS. BREAK SHARP EDGES				THIRD ANGLE 		
DRAW	DESIGN	CHECK	APPRO.	TITLE		
<i>GK LEE</i>	<i>SG PARK</i>		<i>WY CHA</i>	7-16 Panel Mount Jack 4-Hole Flange Solder Cup 50 Ohm		
2012. 9.13	2012. 9.13		2012. 9.13			
Material			SEE PART LIST	SIZE	DWG NO.	
Finish			SEE PART LIST	A4	CM-20813	
No.	PART No.	PART NAME	Q'TY	MATERIAL	FINISH(μm)	REMARKS
Scale : NS				Do Not Scale Drawing		
				1 of 1		

4	V2001-00042-A	O-RING	1	SILICONE RUBBER	-	P-22
3	D4238-10412-A	SOCKET	1	KS-D-5101 C3601BD	Ag 5.0 Min	
2	D4143-10260-A	INSULATOR	1	ASTM-D-1457 PTFE	-	
1	D4238-10113-A	SHELL	1	KS-D-5101 C3604BD	SUCO 3.0 Min	