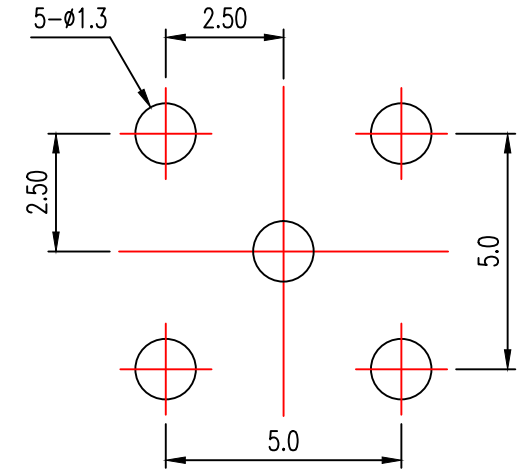
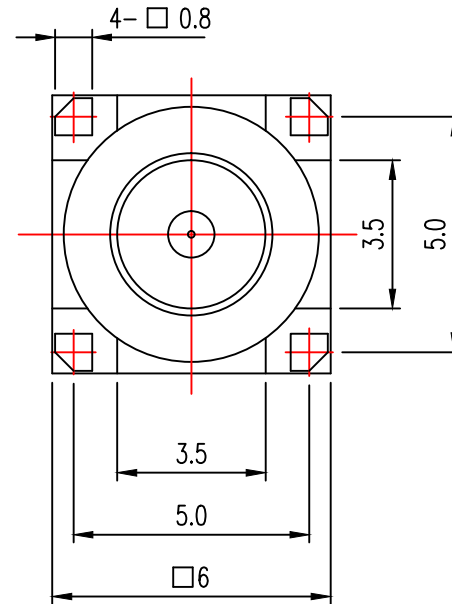
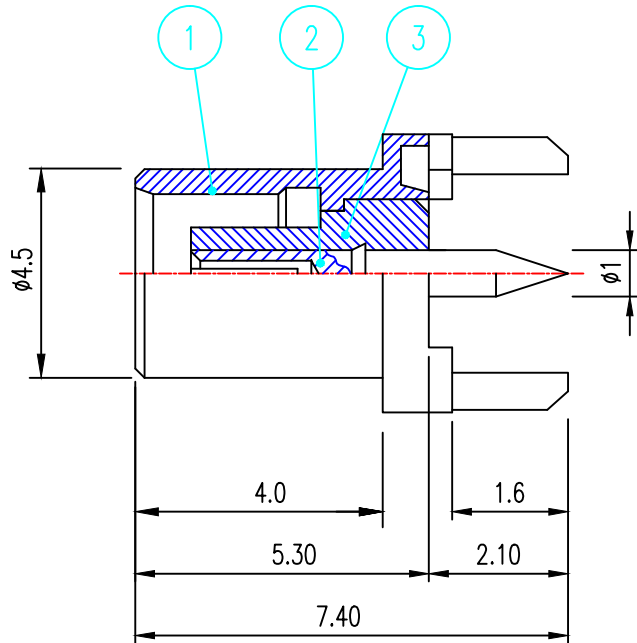


REV	DESCRIPTION	DSG	APR	DATE



MOUNTING HOLE

Impedance 50 Ω  
 Frequency range Dc ~ 6 Ghz  
 V.S.W.R 6.0 GHz : ≤1.2

1. Specification

Operating Temperature : -45 ~ 120°C  
 2002/95/EC (RoHS) : Compliant

3	INSULATOR	1	TEFLON	1	
2	CONTACT	1	BeCu	Gold	
1	BODY	1	MBsBD	Nickrl	
No.	품 명	수량	재질	표면처리	비고

UNLESS OTHERWISE SPECIFIED					SCALE	MM	UNIT	1:1	TITLE
DIMENSION	0	0.0	0.00	0.000	ANGLE				MCX(F)ST 4R PCB 7.4mm
TOLERANCE	±0.5	±0.1	±0.03	±0.01	±0.5	PROJ	REV	1.0	
<b>알에프시엠</b>					DESIGN	CHECK	APPRO.	DWG NO.	
					HONG MIN KI			Material	KS-D-5101 C3604BD
								Finish	SEE NOTE 1
							2017. 3.24	1 of 1	A4