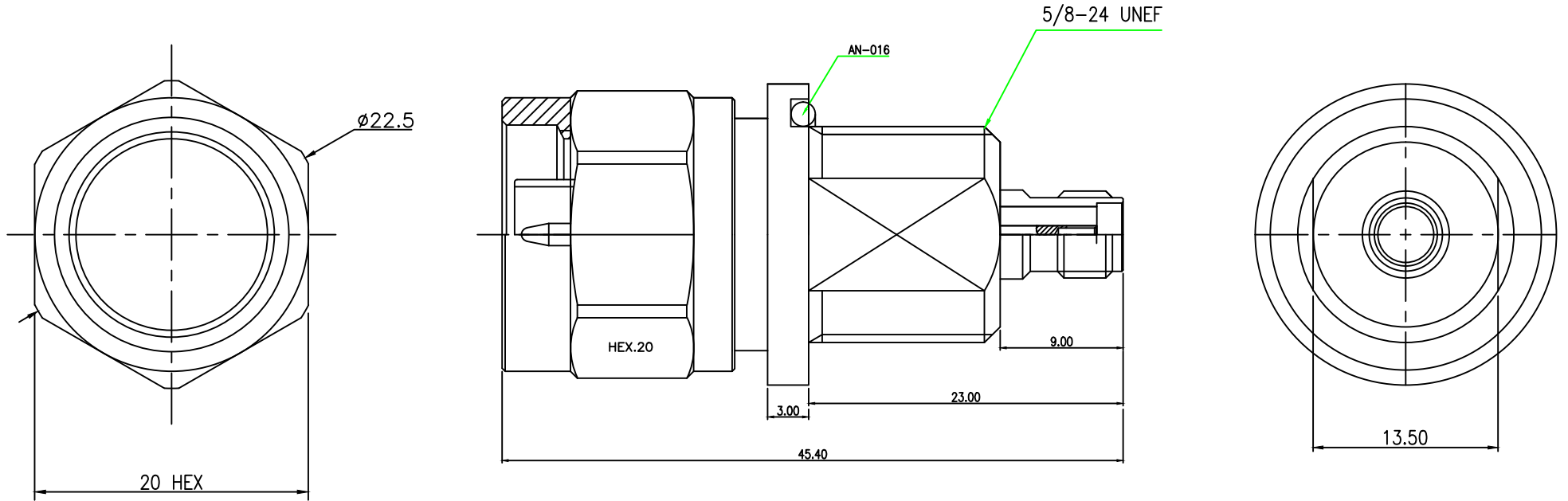


This document contains proprietary information and may not be reproduced or copied without the express written permission of a duly authorised representative of RFCM.

REV	DESCRIPTION	DSG	APR	DATE



UNLESS OTHERWISE SPECIFIED : ALL DIMS IN MILLIMETERS TOLERANCES ON DECIMALS 1 PLACE ±0.20    ANGLE ±1.0°    1.6g 2 PLACE ±0.10 REMOVE BURRS. BREAK SHARP EDGES				THIRD ANGLE 	<h1>RFCM</h1>	
DRAW <i>MX HONG</i>	DESIGN	CHECK 	APPRO.	TITLE N Male Bulk Head to SMA Female		
2019.10.04	Material : -			SIZE A4	DWG NO. A1	REV A
Finish SEE NOTE 1.	Scale : NS    Do Not Scale Drawing			1 of 1		