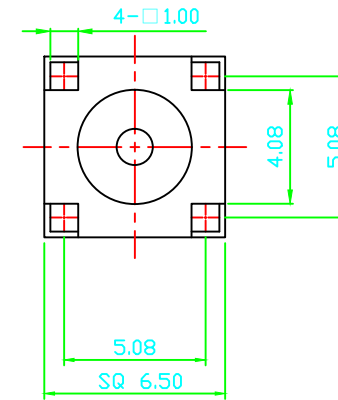
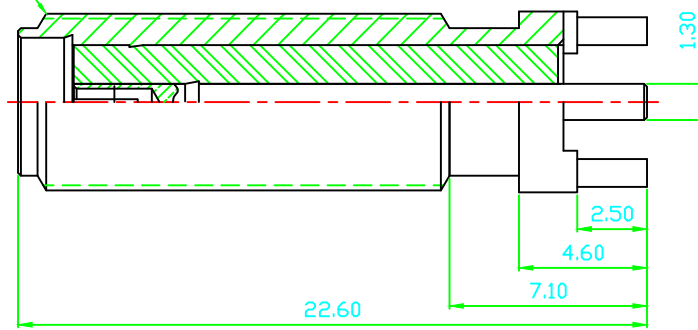


REV	DESCRIPTION	DSG	APR	DATE

1/4-36 UNEF



NOTE :

1. Material and Finish

Center contact : Beryllium Copper / Gold

Body : Brass / Gold

Insulator : PTFE

2. Specification

Operating Temperature : -45 ~ 120C°

2002/95/EC (RoHS) : Compliant

UNLESS OTHERWISE SPECIFIED					SCALE	MM	UNIT	1:1	TITLE	
DIMENSION	0	0.0	0.00	0.000	ANGLE	PRJ	REV	1.0	SMA(F)ST 4R PCB 20.1mm	
TOLERANCE	±0.5	±0.1	±0.03	±0.01	±0.5					
<b>알에프시엠</b> HONG MIN KI					DESIGN	CHECK	APPRO.	DWG NO.		
								Material KS-D-5101 C3604BD		
								Finish SEE NOTE 1		
							2017. 3.24	1	of 1	A4