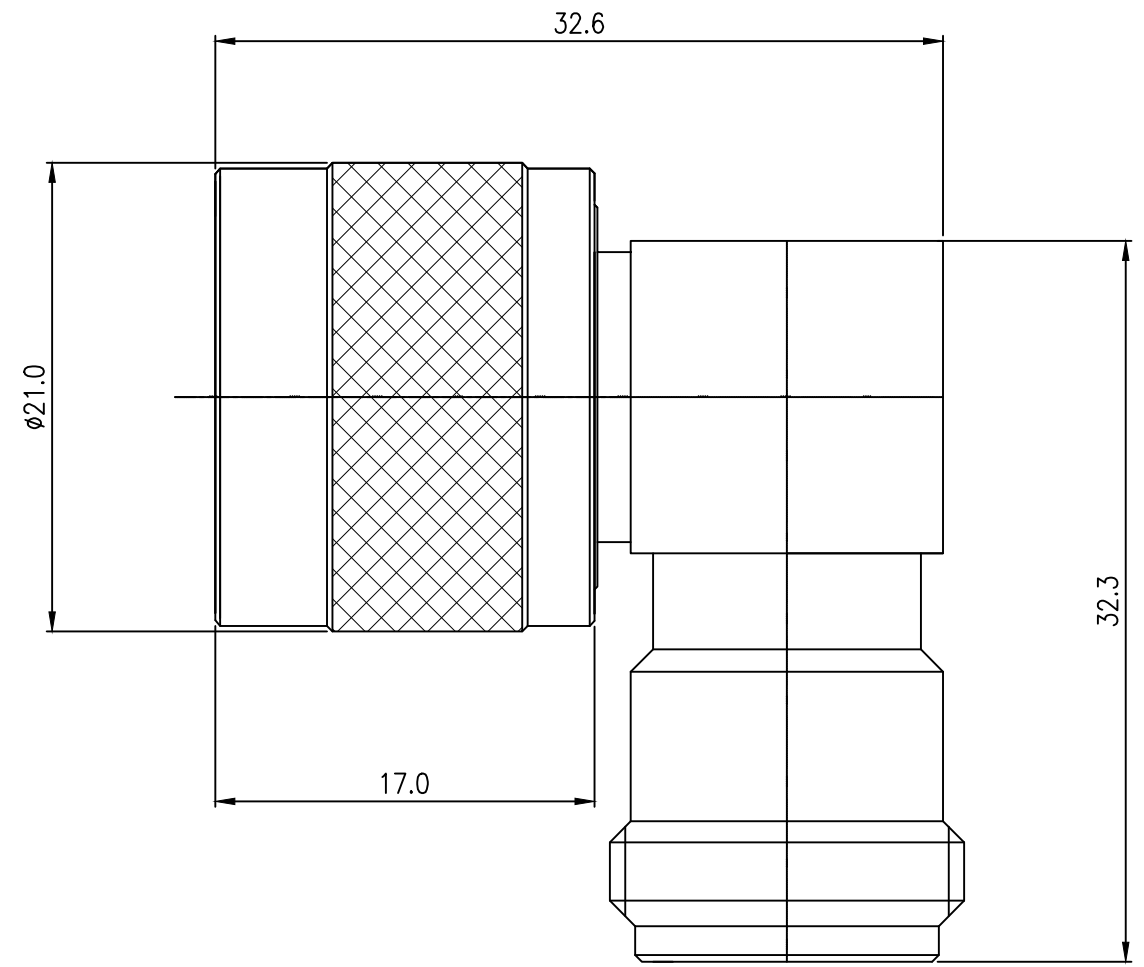


REV	DESCRIPTION	DSG	APR	DATE



NOTE :

1. Material and finish

Center contact : Female part : Beryllium-copper / Gold plated
 Male part : Brass / Gold plated

Insulator : PTFE

Body, Coupling nut : Brass / Nickel plated

C-Ring : Stainless steel / Passivation

Gasket : Silicone rubber

Insulator : PTFE

2. Electrical specification

Frequency range : DC ~ 6GHz

V.S.W.R : 1.2 : 1 max

Operating Temperature : -45 ~ 120°C

2002/95/EC (RoHS) : Compliant

UNLESS OTHERWISE SPECIFIED : ALL DIMS IN MILLIMETERS TOLERANCES ON DECIMALS 1 PLACE ±0.20 AGGLE ±1.0% 2 PLACE ±0.10 REMOVE BURRS, BREAK SHARP EDGES				THIRD ANGLE 		<h1>RFCM</h1>	
DRAW	DESIGN	CHECK	APPRO.	TITLE			
BY_KAMBAY_KAM			MK_HONG	ADAPTOR 50 OHMS N PLUG - N JACK R/A			
2024.05.07	2024.05.07		2024.05.07	SIZE	DWG NO.	REV	
Material	SEE NOTE 1.			A4	UG-270/U - UG-27CU	A	
Finish	SEE NOTE 1.			Scale : NS	Do Not Scale Drawing	1 of 1	